

INTEX[®]

MILLWORK SOLUTIONS

Part # GC2OUTLET

Intex Gutter System

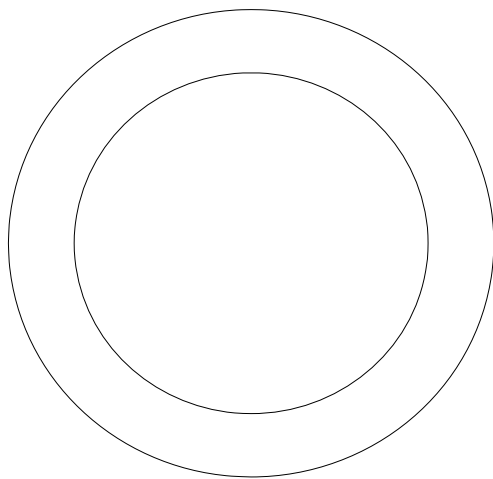
Assembly Instructions and Parts
List for Downspout Outlet Kit

Downspout Outlet Kit Includes:

- (1) Downspout Outlet (Item A)
- (1) 3M VHB Die Cut Gasket (Item B)
- (4) #6 X 5/8" Pan Head Square Drive Screws (Item C)

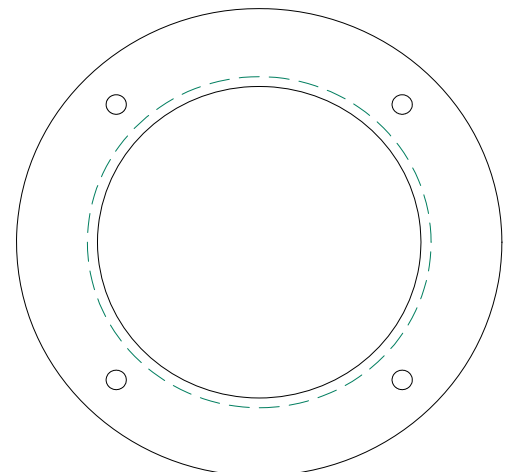
Please note;

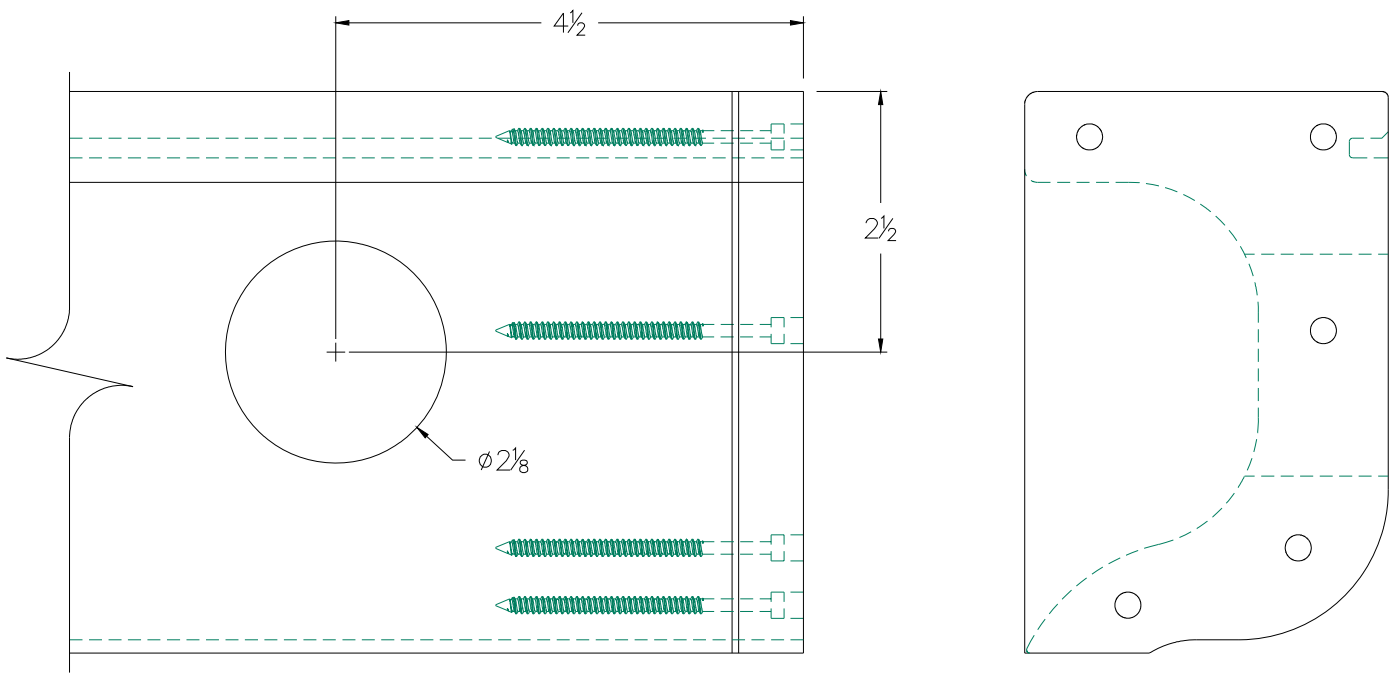
When installing gutter in temperatures below 50°F gutter surfaces that are to be joined must be heated with a heat gun prior to applying 3M gaskets and seals to ensure proper adhesion.



ITEM C
#6 X 5/8" PAN HEAD
SQUARE DRIVE SCREWS

ITEM B, 3M VHB DIE CUT GASKET





1. Drill Clearance Hole – In order to install the Downspout Outlet, you must drill a 2-1/8" diameter clearance hole through the Gutter per the above sketch. The location of the hole is critical. This will prevent you from drilling into the Cortex screws used to mount the End Cap. Intex recommends using a Hole Saw or Forstner Bit for this application.
2. Apply Gasket – Remove one backer from the Die Cut Gasket **Item B**. With the now exposed edge of the Gasket facing up, feed the Gutter Outlet **Item A**, down through the Gasket as shown in the figure to the left. The underside of Outlet's rim should be clean and free of debris. Apply the Gasket to the rim of the Outlet by pressing firmly around the entire circumference.
3. Form the Downspout Outlet Flange – Form the Downspout Outlet flange to the base of the gutter by tapping it into place with a hammer. Once the flange has been shaped to fit the gutter, remove the Downspout Outlet from the gutter and remove the second backer from the Die Cut Gasket **Item B**.
4. Install the Downspout Outlet Feed the Downspout Outlet **Item A**, with the applied gasket down through the 2-1/8" diameter hole in the Gutter. Insure the inside surface of the Gutter is clean a free of debris. Before the gasket makes contact with the gutter insure that the shape of the outlet's pre-formed rim will align with the profile of the Gutter as created in step 3 above. This shape is symmetrical and if installed backwards may leak. Once in place, press down firmly on the rim of the Outlet and secure in place with the four #6 X 5/8" Pan Head Square Drive Screws **Item C** as shown in the figure to the left.

